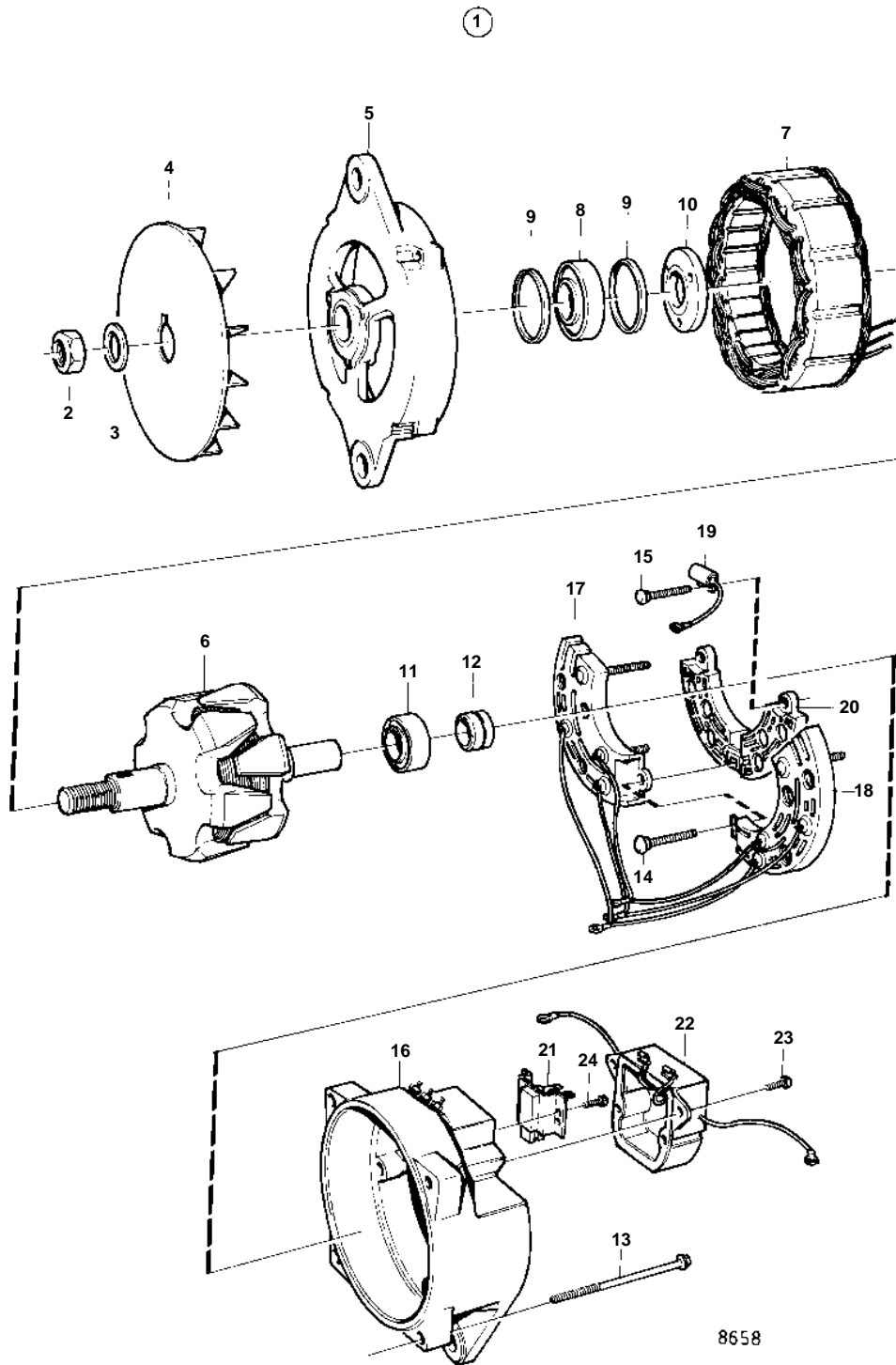


D12D-A MH, D12D-B MH, D12D-C MH, D12D-E MH, D12D-G MH, D12C-A MP, D12D-A MP, D12D-B MP, D12D-C MP, D12D-D MP, D12D-E MP, D12D-F MP



D12D-A MH, D12D-B MH, D12D-C MH, D12D-E MH, D12D-G MH, D12C-A MP, D12D-A MP, D12D-B MP, D12D-C MP, D12D-D MP, D12D-E MP, D12D-F MP

REF	PART NO.	QTY	DESCRIPTION	NOTES
1	849747	1	Alternator	14V, 130A
	3803577	1	Alternator, exch	14V, 130A
2		1	· Nut	
3		1	· Washer	
4		1	· Fan	
5		1	· End plate	
6		1	· Rotor	
7		1	· Stator	
8	862509	1	· Bearing	
9		2	· Seal	
10		1	· Bearing carrier	
11		1	· Bearing	
12	862511	1	· Slip ring	
13		4	· Screw	
14		1	· Screw	
15		1	· Screw	
16		1	· End plate	
17		1	· Diode	POS
18		1	· Rectifier diode	NEG
19		1	· Capacitor	
20		1	· Insulator	
21	862536	1	· Brush set	
22	862539	1	· Governor	
23		4	· Screw	
24		2	· Screw	